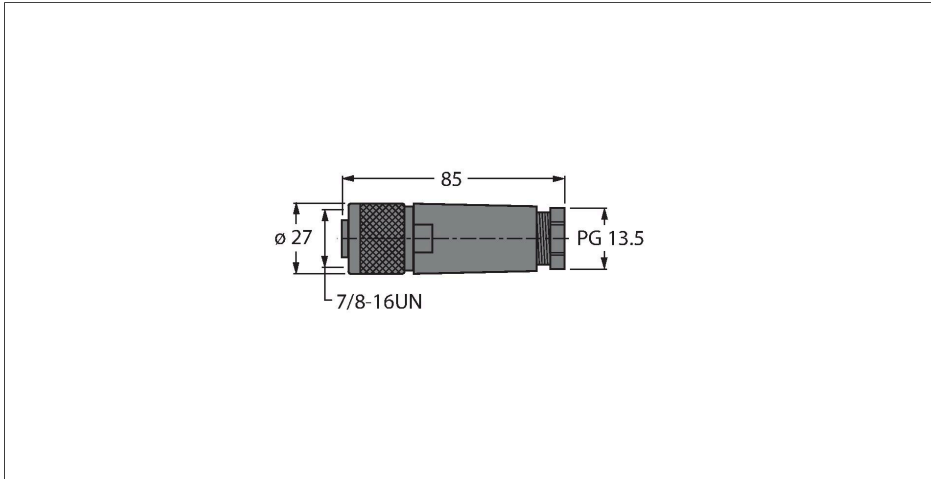


B4141-0/13.5

7/8" Round Connector – Field wireable, female connector, straight

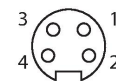


Features



- Metal coupling nut
- Oil-resistant
- UL approval
- Screw-clamp terminal
- 4-pin
- PG13.5 screw-in thread
- Cable feedthrough 10.0...12.0 mm

Contact assignment



Technical data

Type	B4141-0/13.5
Ident. no.	6914509
Connector A	Field-wireable, Female Connector, 7/8", Straight
Number of pins	4
Contacts	Brass, CuZn, Gold-plated
Contact carriers	Plastic, TPU, Black
Connector body	Plastic, PA, Black
Coupling nut/screw	Aluminum, Al, Anodized
Seal	Plastic, NBR
Screw-in thread seal	plastic, NBR
Screw-in thread	PG13.5
External diameter of the cable	min. 10...12 mm
Core cross-section/Clamping ability	0.14...1
Connection mode	Screw/clamp connection
Mechanical lifespan	> 100 Mating cycles
Pollution degree	3
Protection class	IP67, (screwed together)
Electrical properties at +20 °C	
Rated voltage	250 V
Current	9 A
Insulation resistance	≥ 10 ⁸ Ω
forward resistance	≤ 5 mΩ
Mechanical and chemical properties	
Stationary	-40 °C...+90 °C
Approvals	UL