

OPERATING INSTRUCTIONS



**SZ-2710
SZ-2910**

Instructions:

GENERAL DESCRIPTION

The SZ-2710 and SZ-2910 is a Humidity indicator

SZ-2710 Indicator can be used to display humidity in the range from 30% to 90% RH.

SZ-2910 Indicator can be used to display humidity in the range from 0% to 99% RH.

2

INDEX

Para.	Page	Description
	4	How to set other parameters.
H5	5	Probe calibration.
LP	6	Keypad lock.
EP	7	End Programming.
	8	Technical Data.
	9-10	Connection Diagram.
	11-12	Panel cutout & dimensions.
		Installation & Warranty.


3

To set other parameters.	
Press & Hold DOWN (prg) key for 2 seconds. 	Display will show H5 & flash To go to other parameters, use up / down keys.


4

H5 parameter	Function: To set probe offset calibration.						
To change the H5 parameter, press the SET key.	Use UP/DOWN keys to set desired value. In time it may be possible that the display may be offset by a % RH or more. To compensate for this error, you may need to add or minus the %RH required to achieve the correct Humidity.						
<table border="1" style="width: 100%; border-collapse: collapse;"> <thead> <tr> <th style="width: 15%;">Min</th> <th style="width: 15%;">Max</th> <th style="width: 15%;">Fac.</th> </tr> </thead> <tbody> <tr> <td style="text-align: center;">-9%</td> <td style="text-align: center;">10%</td> <td style="text-align: center;">0%</td> </tr> </tbody> </table>	Min	Max	Fac.	-9%	10%	0%	Example: The Humidity on the display is 55%, whereas the actual Humidity is 57%. You will need to set the H5 to 2, which means that once out of the programming mode, the Humidity will show 57% (55% + 2%).
Min	Max	Fac.					
-9%	10%	0%					

5

LP parameter			Function : To lock keypad.
To change the LP parameter, press the SET key.			Use up/down keys to set desired value. This Parameter can lock the keypad so that tampering is not possible by by-standers.
Min	Max	Fac.	0= keypad unlocked 1= keypad locked
0	1	1	When locked H5 parameters can only be viewed, but not modified.
			

6

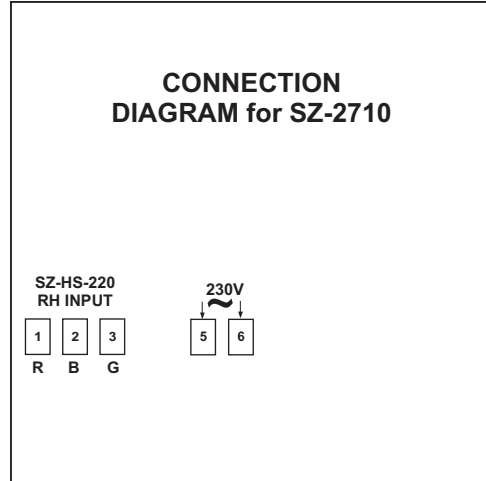
EP parameter		Function : To end programming.
To end programming press the SET key		Once the set key is pressed, the controller goes into the normal mode and displays the humidity and all settings are recorded.
Operating messages and Icon status		
Message	Description	
PP	Probe short circuit, circuit open or without probe, or Humidity > 90 % or < 30%	
 On/Off	Keypad Locked/Unlocked.	

7

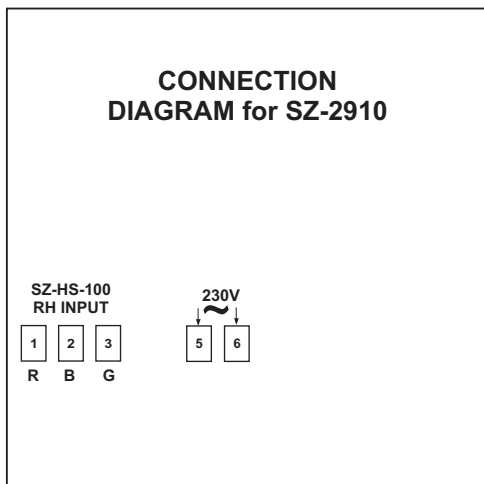
Technical data :

Housing : Black ABS plastic.
Front cover : Polycarbonate plastic.
Dimensions : Front - 75 X 34.5 mm
Depth 71 mm (w/o back lid).
Panel Cutout : 29 X 71 mm
Mounting : Flush panel mounting with fasteners.
Protection : Front panel is waterproof & IP 65 rated .
Connections : Screw terminal blocks.
≤ 2.5sq² mm wire Terminal only.
Display : 12.5 mm (0.56") LED.
Data storage : Non-volatile EEPROM memory
Power input : 230Vac +/-10%, 50Hz/60Hz.
Others on request.
Operating temp. : 5°C to 50°C.
Storage temp : -20°C to 70°C(non-condensing).
Input : Humidity Sensor(SZ-HS-220) for SZ-2710
Humidity Sensor (SZ-HS-100) for SZ-2910
Range : 30 to 90% (SZ-2710)
0 to 99% (SZ-2910)
Resolution : 1%
Accuracy : +/-5% (SZ-2710)
+/-3% (SZ-2910)

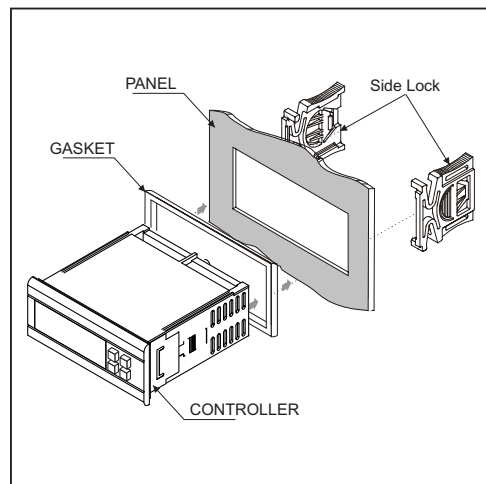
8



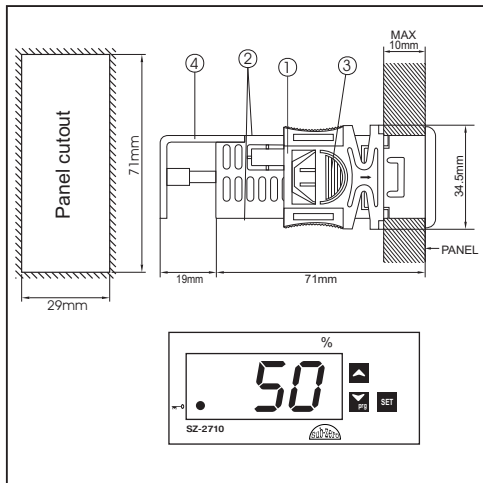
9



10



11



12

Installation : Fixing and dimensions of panel models:
To fix the unit, slide the fastener ① through the guides ② as per the position shown in the figure. Move the fastener in the direction of the arrow, pressing tab ③ it permits to move the fastener in the opposite direction of the arrow. Once the controller has been connected, they should be covered with the lid ④ Silicon sealant should be applied along the perimeter of the panel cut out or a rubber 'O' ring supplied before the unit is fitted to obtain IP65 grade.

Controller : Controller should be installed in a place protected by vibration, water and corrosive gasses and where ambient temperature does not exceed the values specified in the technical data.

Probe : To give a correct reading, the probe must be installed in a place protected from thermal influences, which may affect the temperature to be controlled.

13

CAUTION

WIRING: The probe and its corresponding wires should never be installed in a conduit next to control or power supply lines. The electrical wiring should be done as shown in the diagram. The power supply circuit should be connected to a protection switch. The terminals admit wires of upto 2.5sq mm.

WARNING: Improper wiring may cause irreparable damage and personal injury. Kindly ensure that wiring is done by qualified personnel only.

Maintenance: Cleaning: Clean the surface of the controller with a soft moist cloth. Do not use abrasive detergents, petrol, alcohol or solvents.

Notice: The information in this document is subject to change in order to improve reliability, design or function without prior notice and does not represent a commitment on the part of the company. In no event will the company be liable for direct, indirect, special, incidental or consequential damage arising out of the use or inability to use the product or documentation, even if advised of the possibility of such damages. No part of this manual may be reproduced or transmitted in any form or by any means without the prior written permission of the company.

14

Disclaimer: This manual & its contents remain the sole property of A.S. CONTROLS Pvt. Ltd, India and shall not be reproduced or distributed without authorisation. Although great care has been taken in the preparation of this document, the company or its vendors in no event will be liable for direct, indirect, special, incidental or consequential damage arising out of the use or inability to use the product or documentation, even if advised of the possibility of such damages. No part of this manual may be reproduced or transmitted in any form or by any means without the prior written permission of the company. A.S. CONTROLS Pvt. Ltd, reserves the right to make and changes or improvements without prior notice.

Warranty: This product is warranted against defects in materials and workmanship for a period of one year from the date of purchase. During the warranty period, product determined by us to be defective in form or function will be repaired or, at our option, replaced at no charge. This warranty does not apply if the product has been damaged by accident, abuse, and misuse or as a result of service or modification other than by the company. This warranty is in lieu of any other warranty expressed or implied. In no event shall the company be held liable for incidental or consequential damages, including lost revenue or lost business opportunity arising from the purchase of this product..

15

OUR OTHER PRODUCTS



INDIA

- Cold Room Controller
- Chiller Controller
- Two Compressors Controller
- Heating Controller
- Humidity Controller
- Pressure Controller



- Ball Valves
- Globe Valves
- Hand Valves
- Flow Switches
- Solenoid Valves